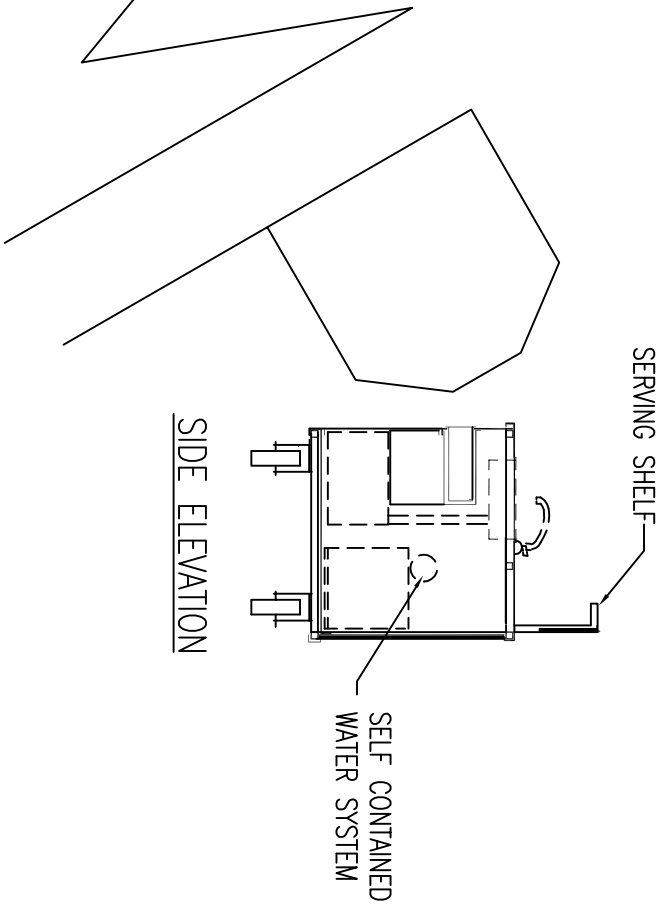
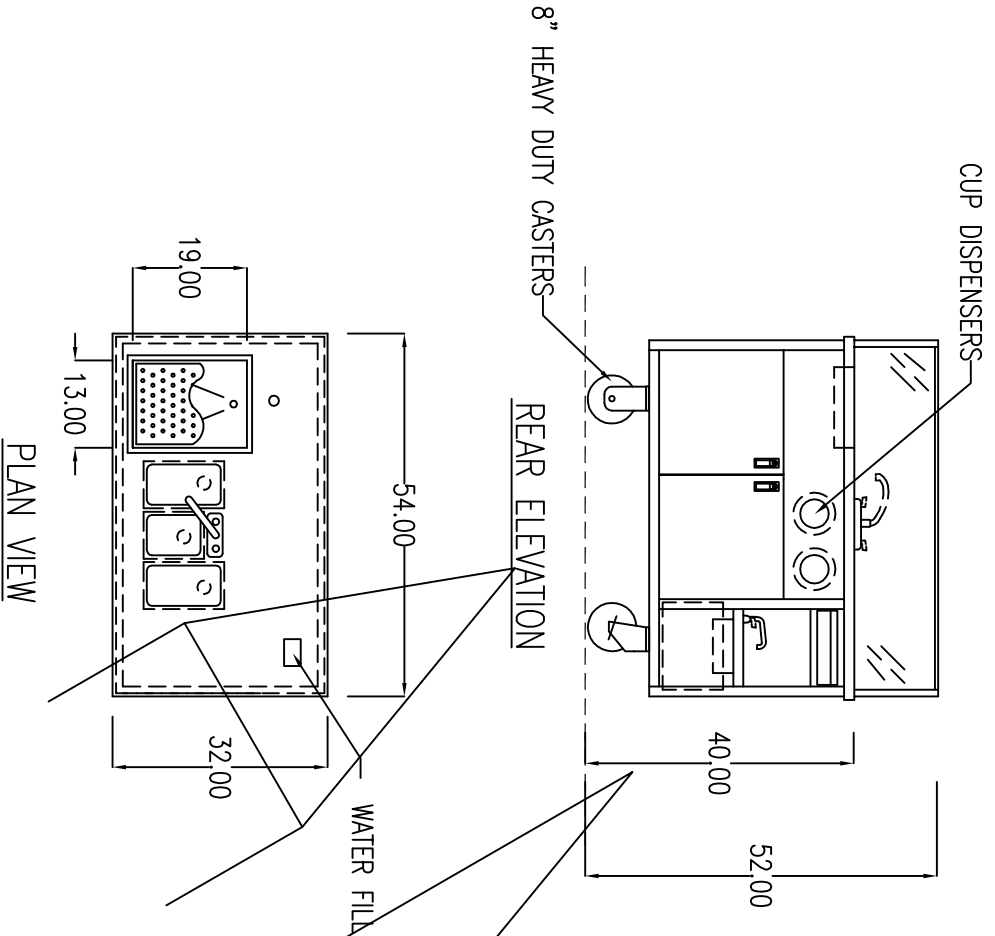
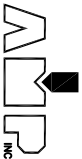


COLOR-COORDINATED UMBRELLA
NOT SHOWN FOR CLARITY



PROPRIETARY NOTICE: THIS DRAWING AND ALL THE
IDEAS AND PLANS CONTAINED WITHIN ARE THE SOLE
PROPERTY OF AMERICAN METAL PRODUCTS INC.

	
AMERICAN METAL PRODUCTS, INC. 4026 Silver Star Rd Unit A Orlando, FL 32808 Phone: (407) 293-0990 Fax: (407) 293-0998 www.americamp.com info@americamp.com	
Description:	SHAVE ICE CART
Model:	MODEL 3254 SGL
Drawn By:	RAH
Date:	3/5/01
Drawing No.:	IC534SGL